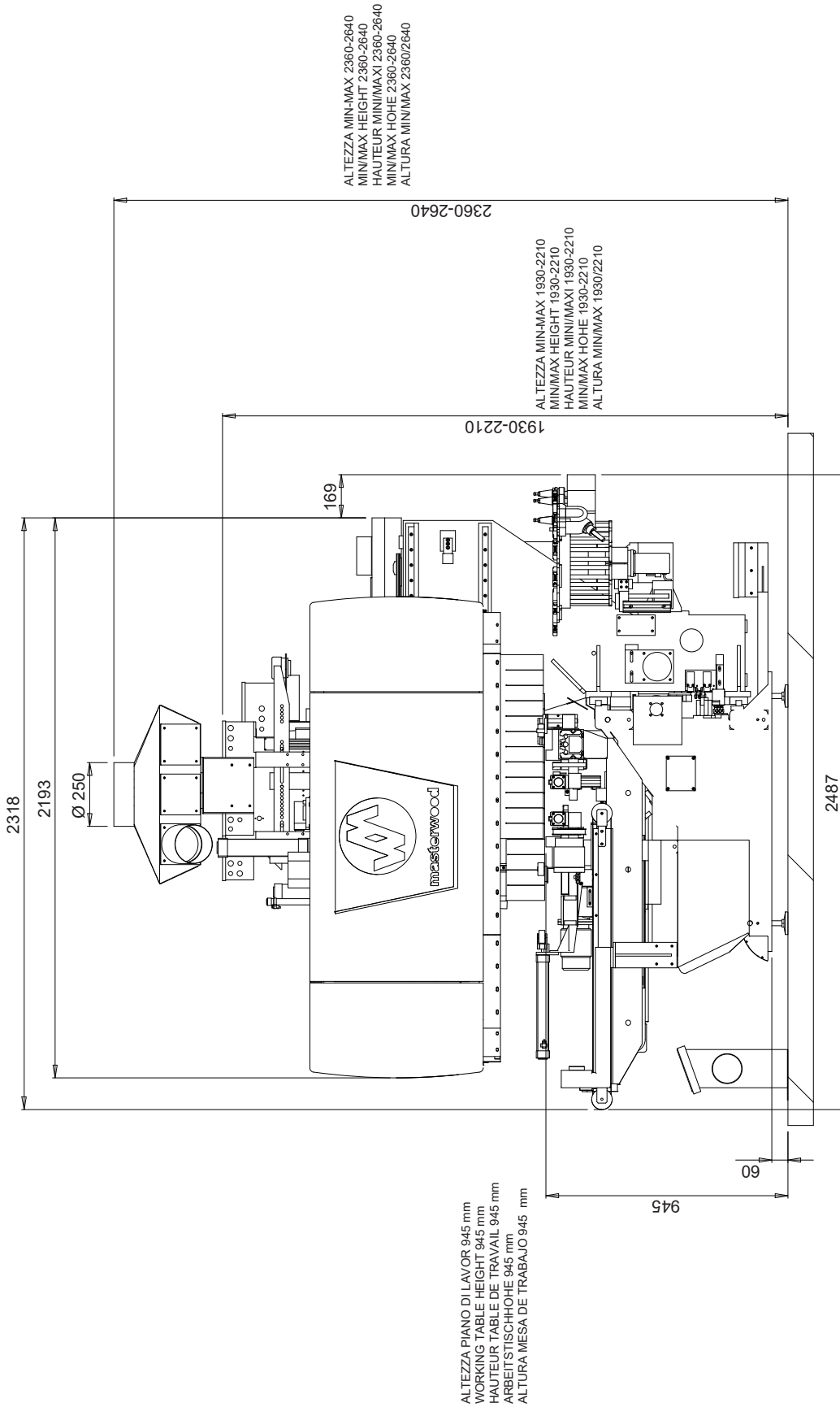
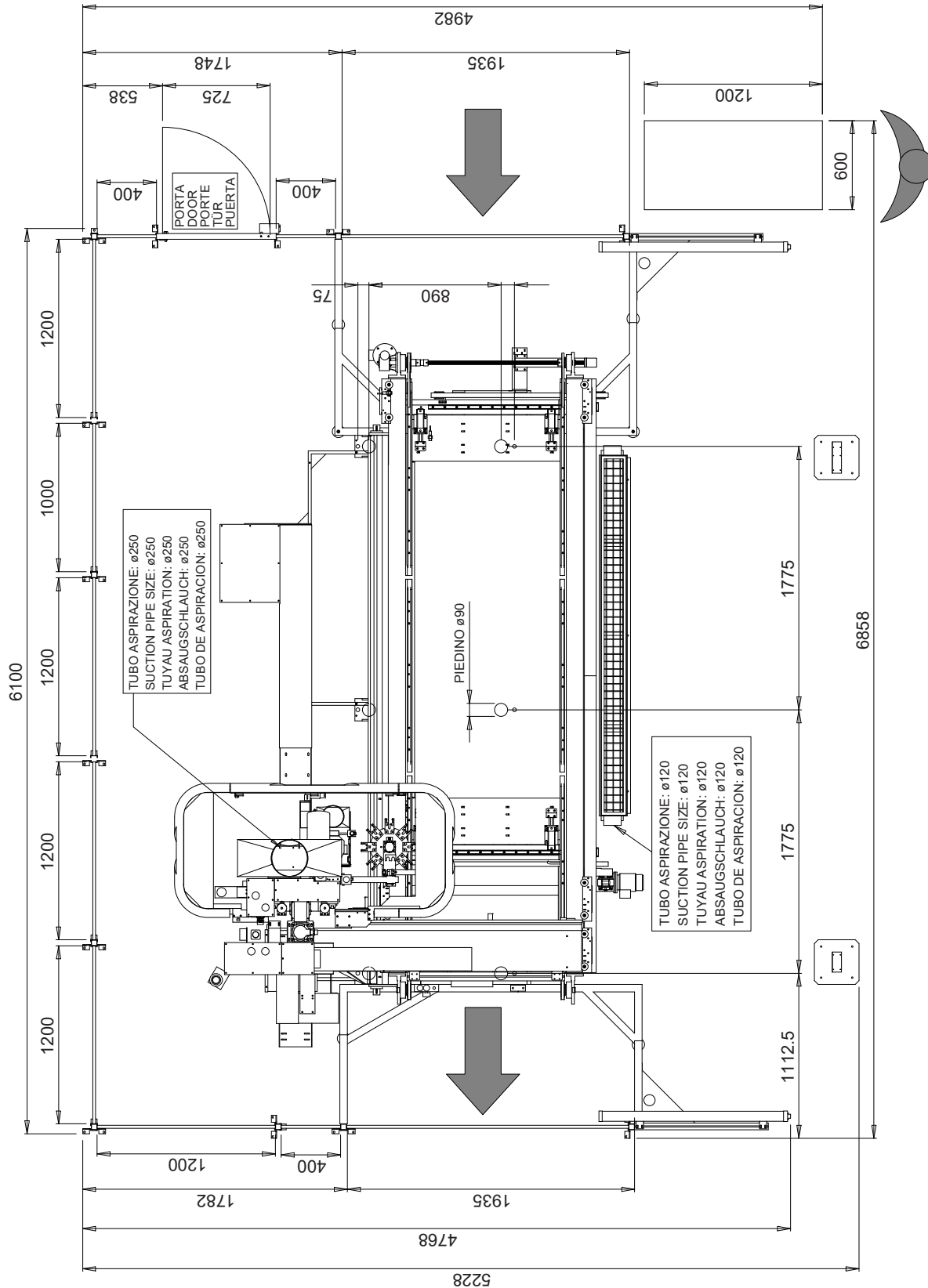
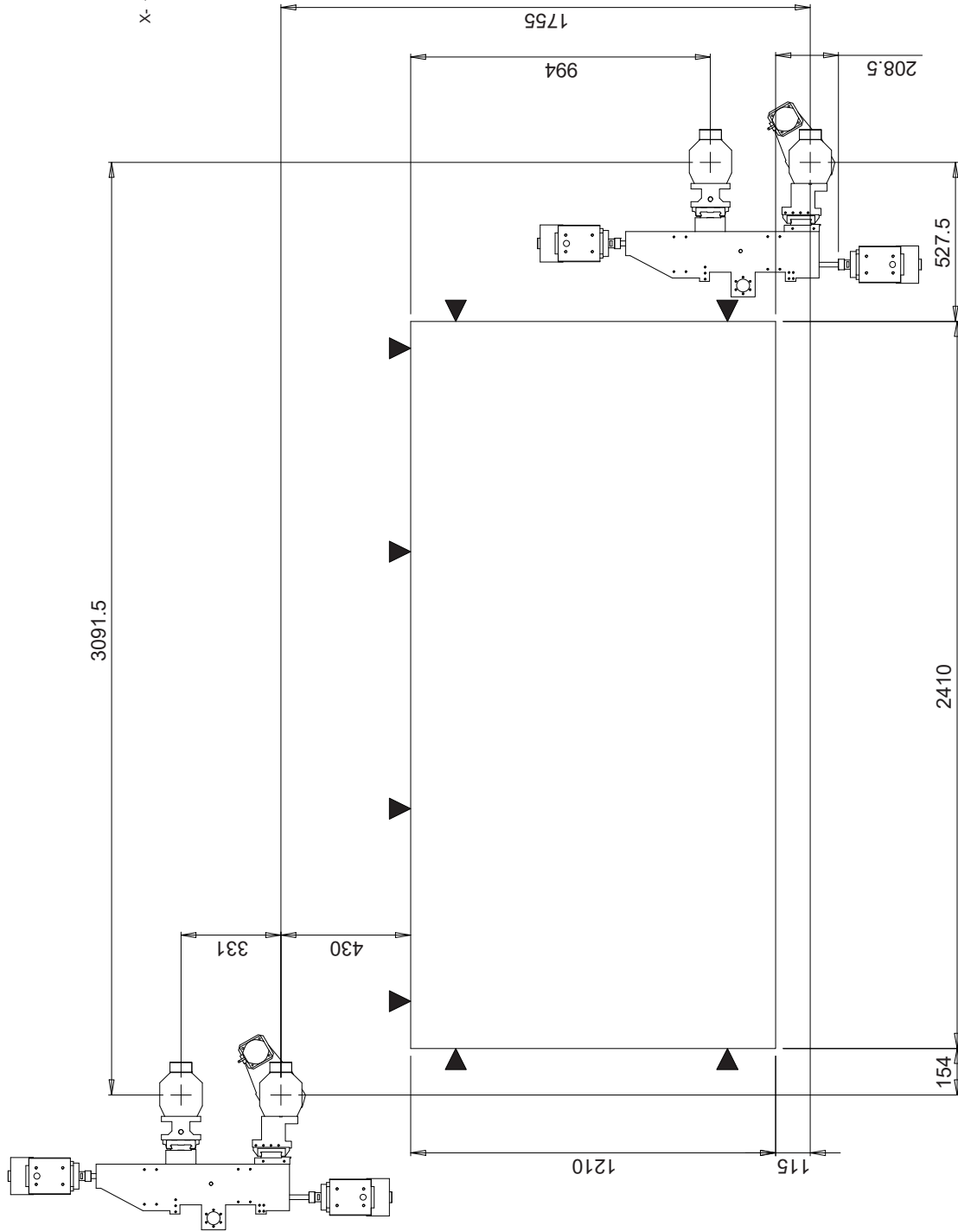
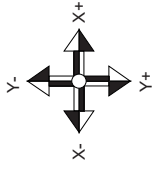


**DIMENSIONI D'INGOMBRO (PROJECT DOORS)**  
**OVERALL DIMENSIONS (PROJECT DOORS)**  
**DIMENSIONS HORS-TOUT (PROJECT DOORS)**  
**RAUMBEDARF (PROJECT DOORS)**  
**DIMENSIONES DE LA MÁQUINA (PROJECT DOORS)**



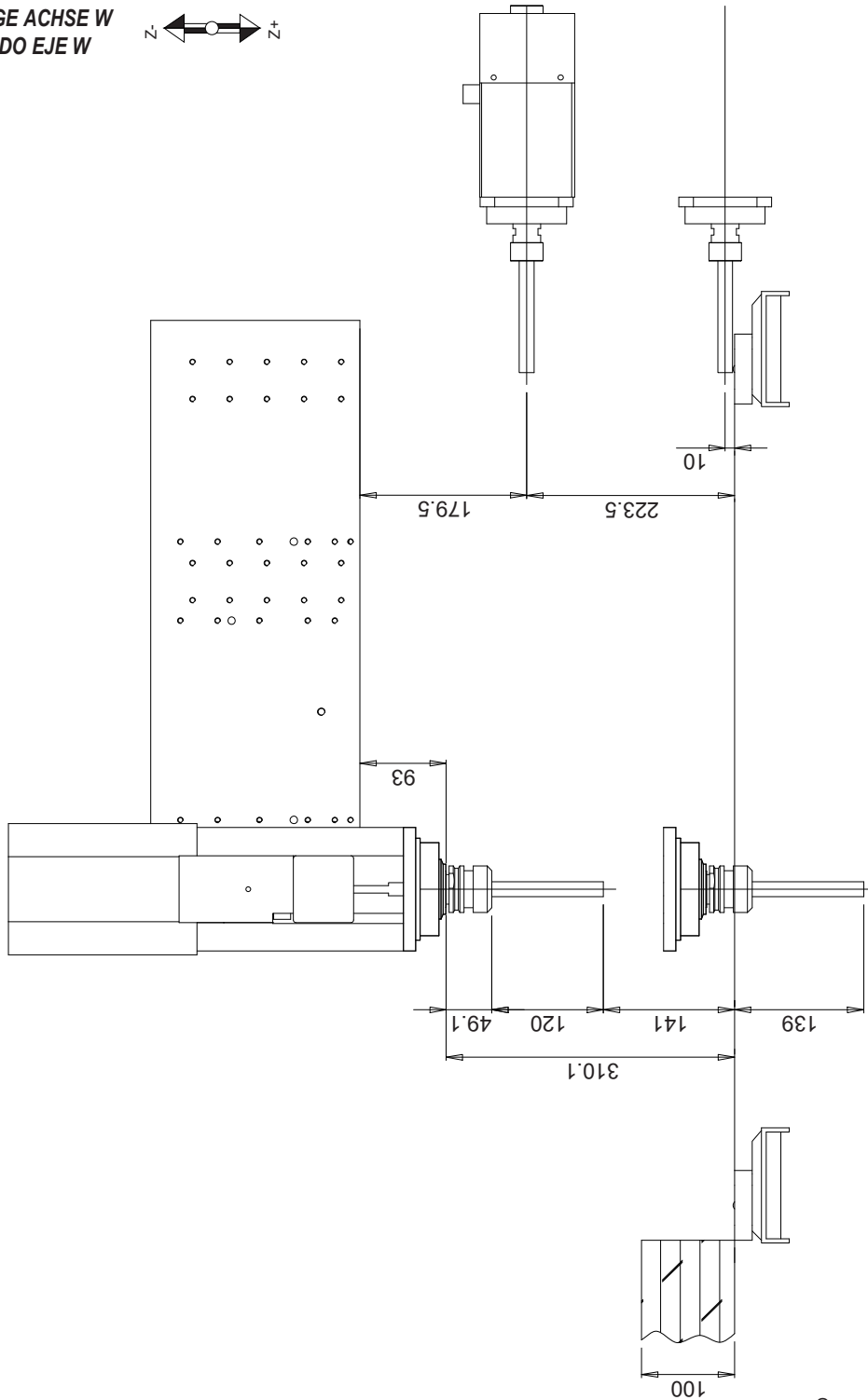
**DIMENSIONI D'INGOMBRO (PROJECT DOORS)**  
**OVERALL DIMENSIONS (PROJECT DOORS)**  
**DIMENSIONS HORS-TOUT (PROJECT DOORS)**  
**RAUMBEDARF (PROJECT DOORS)**  
**DIMENSIONES DE LA MÁQUINA (PROJECT DOORS)**





CORSA ASSE U - V (PROJECT DOORS)  
 AXIS U - V STROKE (PROJECT DOORS)  
 COURSE AXE U - V (PROJECT DOORS)  
 HUBLÄNGE ACHSE U - V (PROJECT DOORS)  
 RECORRIDO EJE U - V (PROJECT DOORS)

**CORSA ASSE W**  
**AXIS W STROKE**  
**COURSE AXE W**  
**HUBLÄNGE ACHSE W**  
**RECORRIDO EJE W**



SPESSORE MAX 100 mm  
 MAX THICKNESS 100 mm  
 EPAISSEUR MAXI 100 mm  
 MAX STARKE 100 mm  
 ESPESOR MAX 100 mm

PIANO DI LAVORO  
 WORKING TABLE  
 TABLE DE TRAVAIL  
 ARBEITSTISCH  
 MESA DE TRABAJO

CORSA ASSE Z 270 mm  
 AXIS Z STROKE 270 mm  
 COURSE AXE Z 270 mm  
 HUB DER ACHSE Z 270 mm  
 RECORRIDO EJE Z 270 mm